

YAWL in the Cloud

Dennis Schunselaar, Van der Avoort, Verbeek,
Van der Aalst

D.M.M.Schunselaar@tue.nl



TU / **e**

Technische Universiteit
Eindhoven
University of Technology

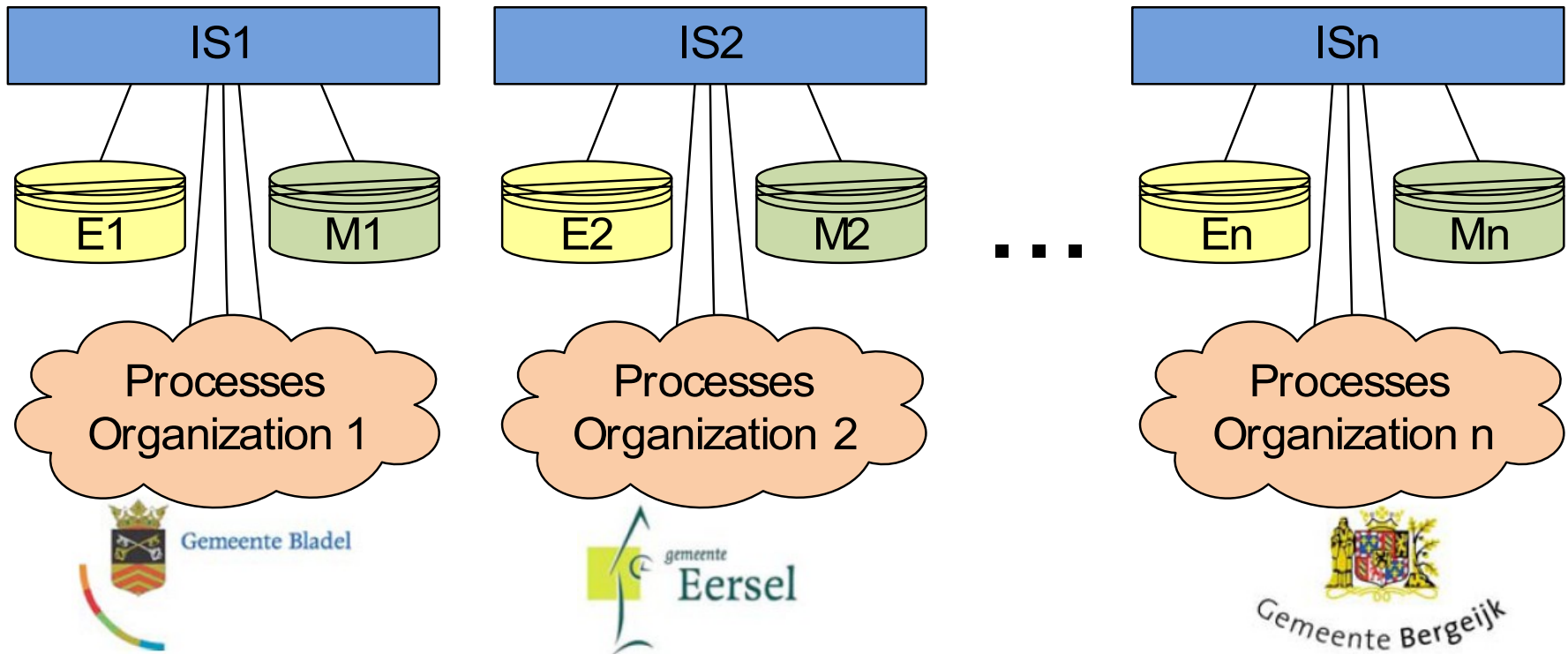
<http://www.win.tue.nl/coselog/>

Where innovation starts

Gemeenten en Provincies
Per 2010



Traditional situation

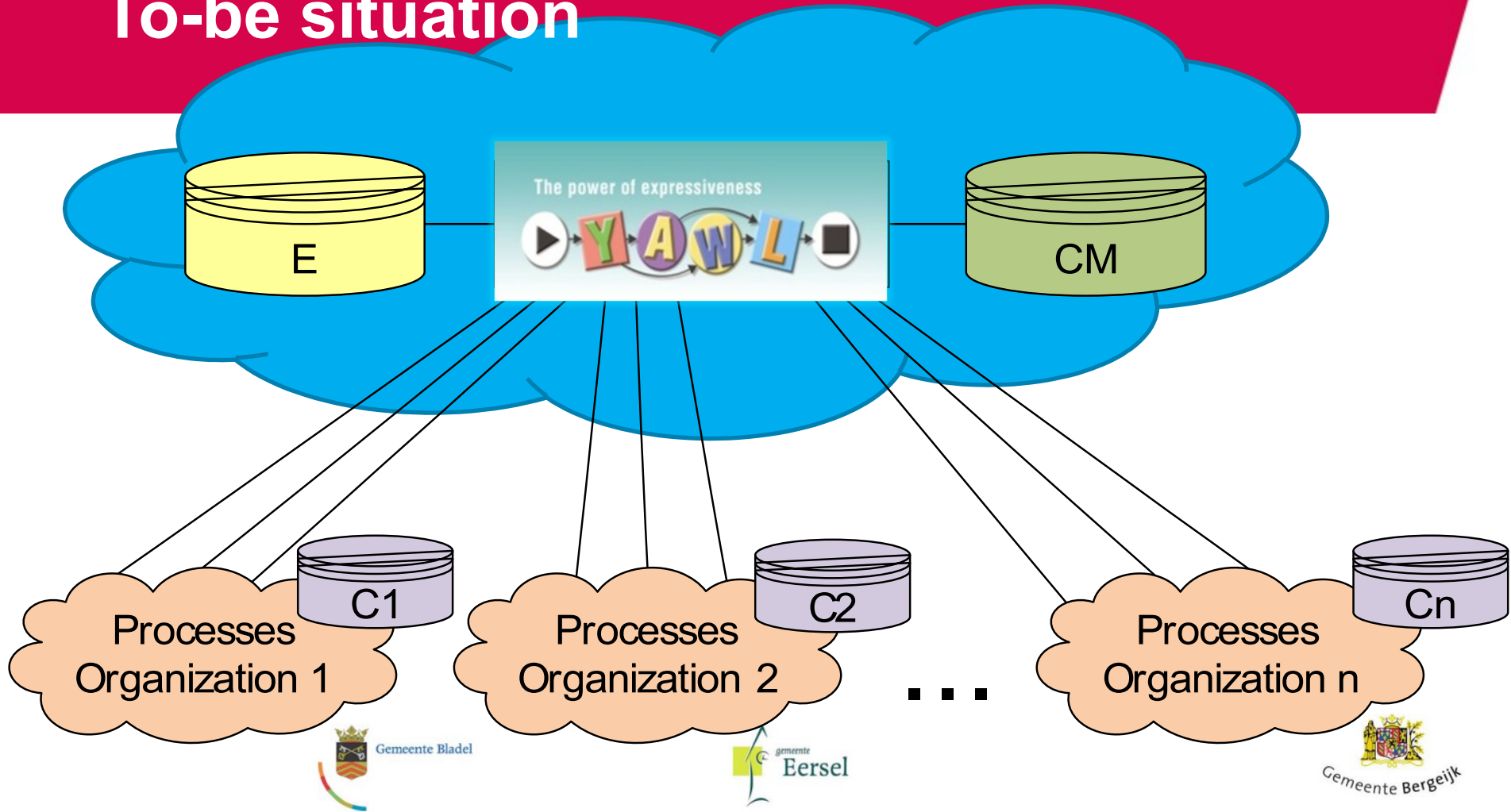


IS = Information System

E = Event log

M = Models

To-be situation



IS-SaaS = Information System (SaaS-based BPMS)

E = Event log

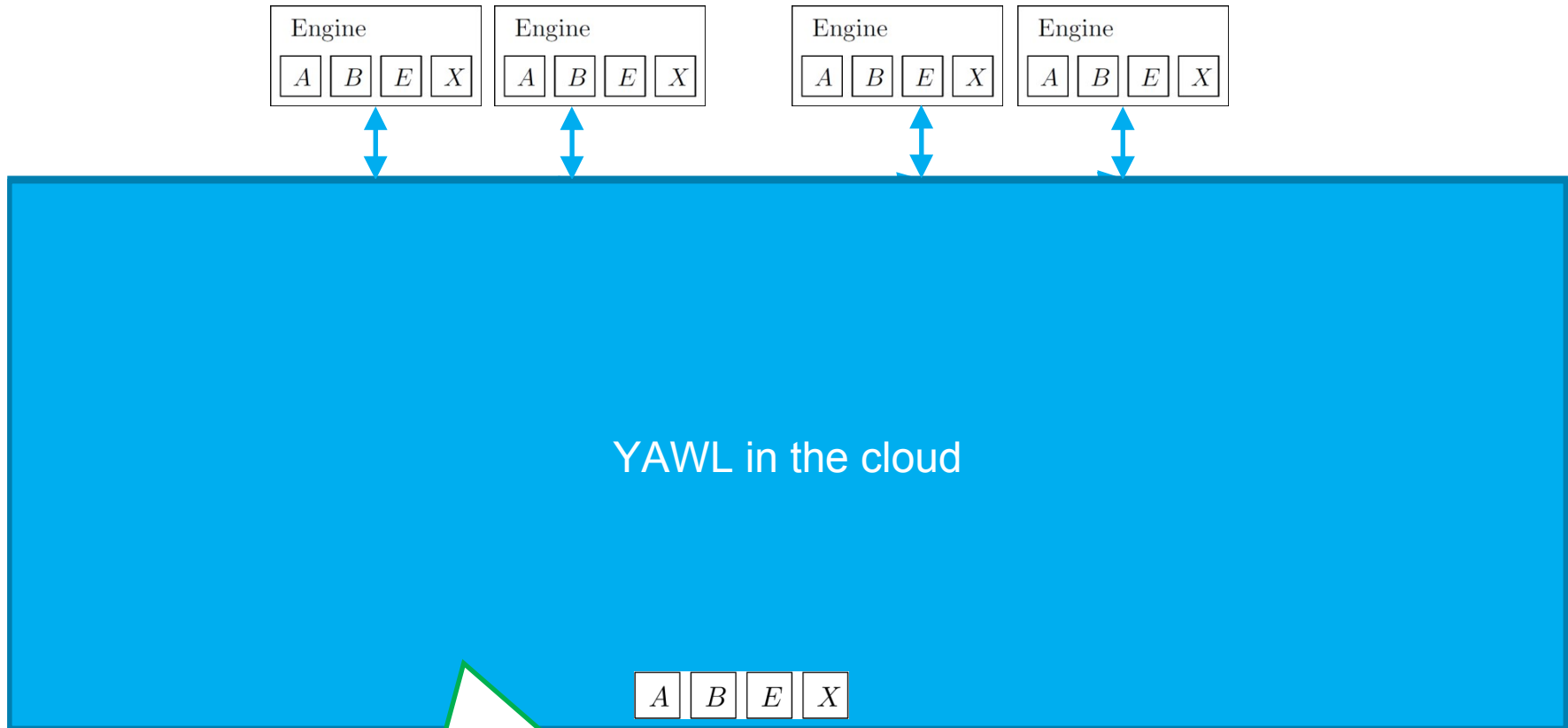
CM = Configurable Models

C = Configuration

Requirements

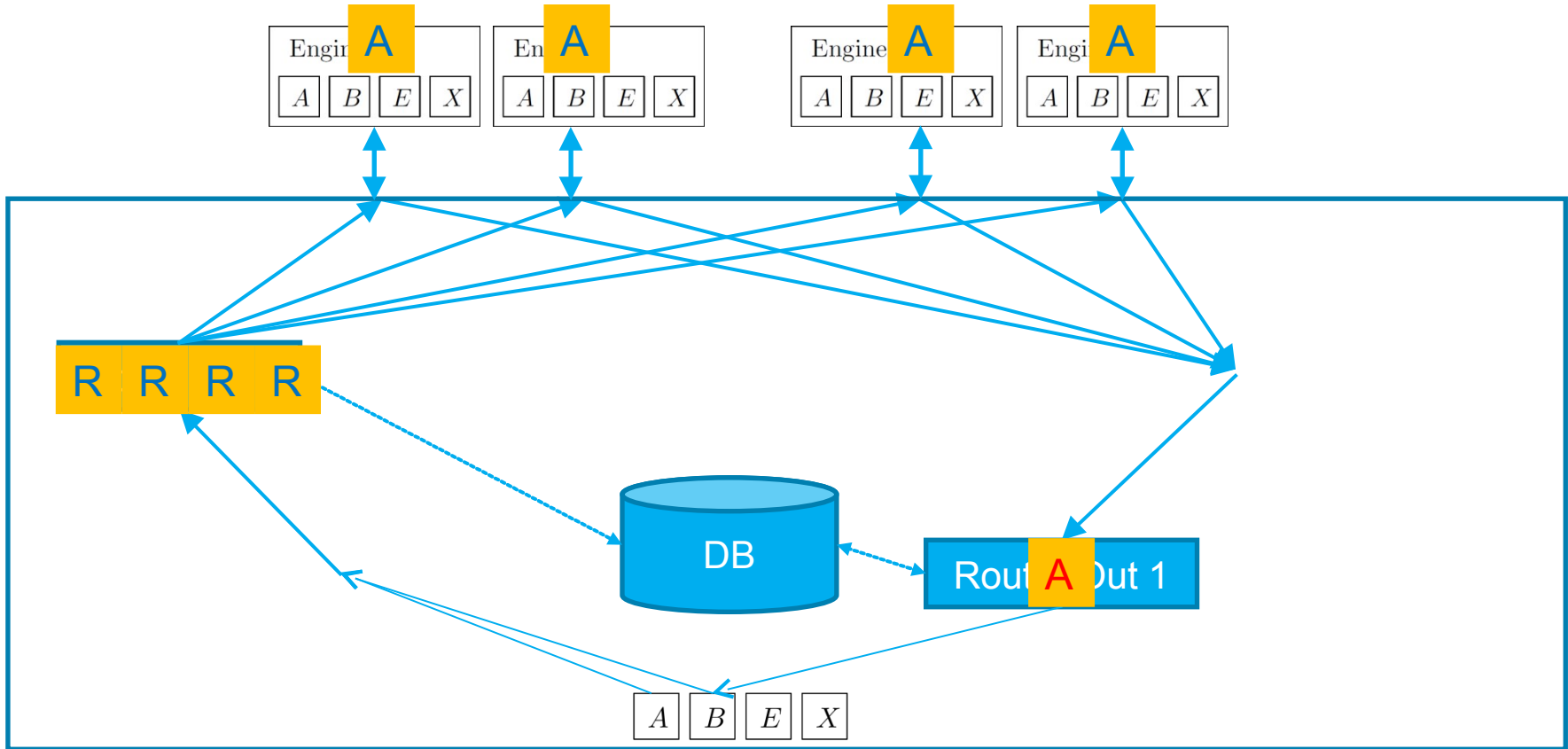
- **No changes to YAWL**
- **No difference for the end-user**
- **Component to control/observe YAWL in the cloud**

Architecture



- No changes to YAWL
- No difference for the end-user

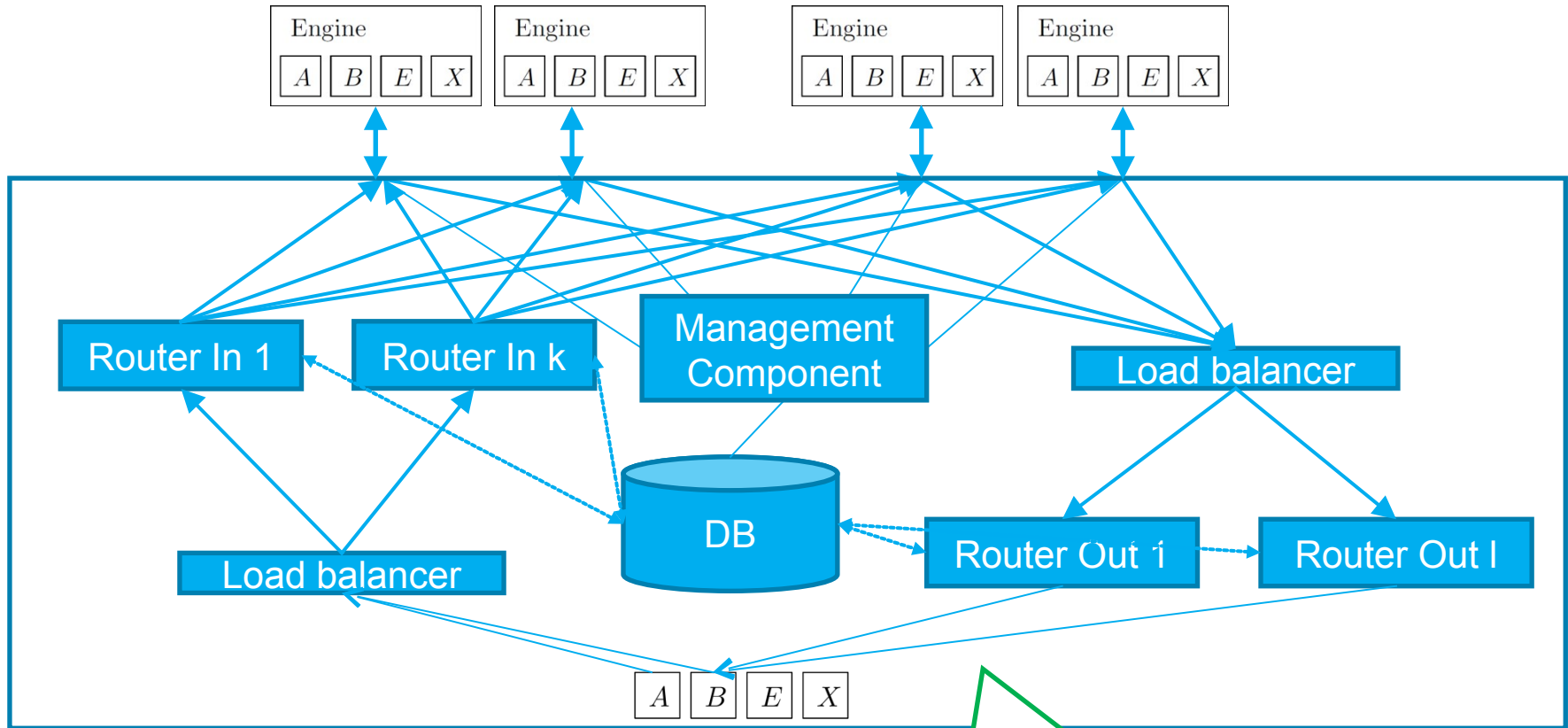
Implementation



R : Get All Running Cases Per Tenant



Implementation



R : Get All Running Cases



- No changes to YAWL
- No difference for the end-user
- Management component

Management Component

http://localhost:8084/YAWLCloud/Dash.jsp? localhost

YAWL in the Cloud - Management

YAWL Dashboard

Auto-refreshing every 10 seconds.

Software view
[Switch to functional view](#)

Server1

- Engine 5 (addr: 8086/engine1, OR: 205)
 - Dennis
 - Case 1101
 - Case 1102
 - Case 1103
 - Dennis2
 - Case 1104
 - Case 1105

http://localhost:8084/YAWLCloud/Dash.jsp? YAWL tree

YAWL in the Cloud - Management

YAWL Dashboard

Auto-refreshing every 10 seconds.

Functional view
[Switch to software view](#)

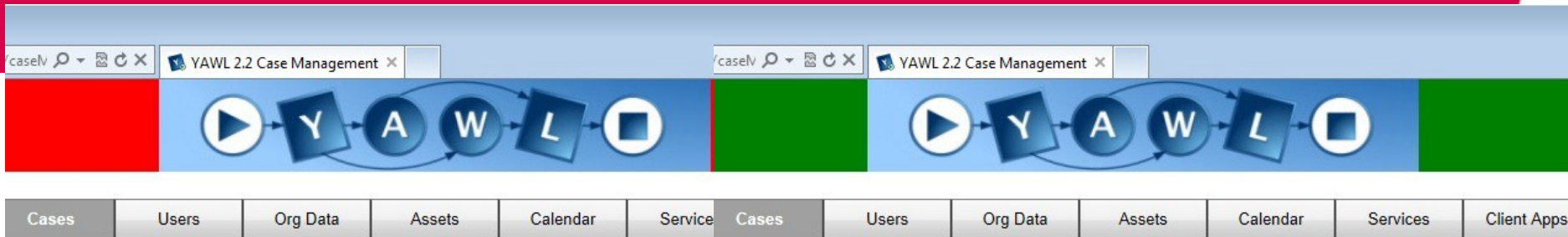
Dennis

- Case 1101 (Engine1: 8086/engine1)
- Case 1102 (Engine1: 8086/engine1)
- Case 1103 (Engine1: 8086/engine1)

Dennis2

- Case 1104 (Engine1: 8086/engine1)
- Case 1105 (Engine1: 8086/engine1)

End-user view



Upload Specification

Loaded Specifications (1)

ProcessA	1.1	Insurance claim process
----------	-----	-------------------------

Running Cases (3)

1101: ProcessA (1.1)
1102: ProcessA (1.1)
1103: ProcessA (1.1)

Upload Specification

Loaded Specifications (1)

ProcessB	1.0	Obtainment of an insurance.
----------	-----	-----------------------------

Running Cases (2)

1104: ProcessB (1.0)
1105: ProcessB (1.0)

Limitations and Future Work

- **Only interfaces A and B**
- **Semi automated**
- **Other components**
- **Configurable YAWL**

Questions

